



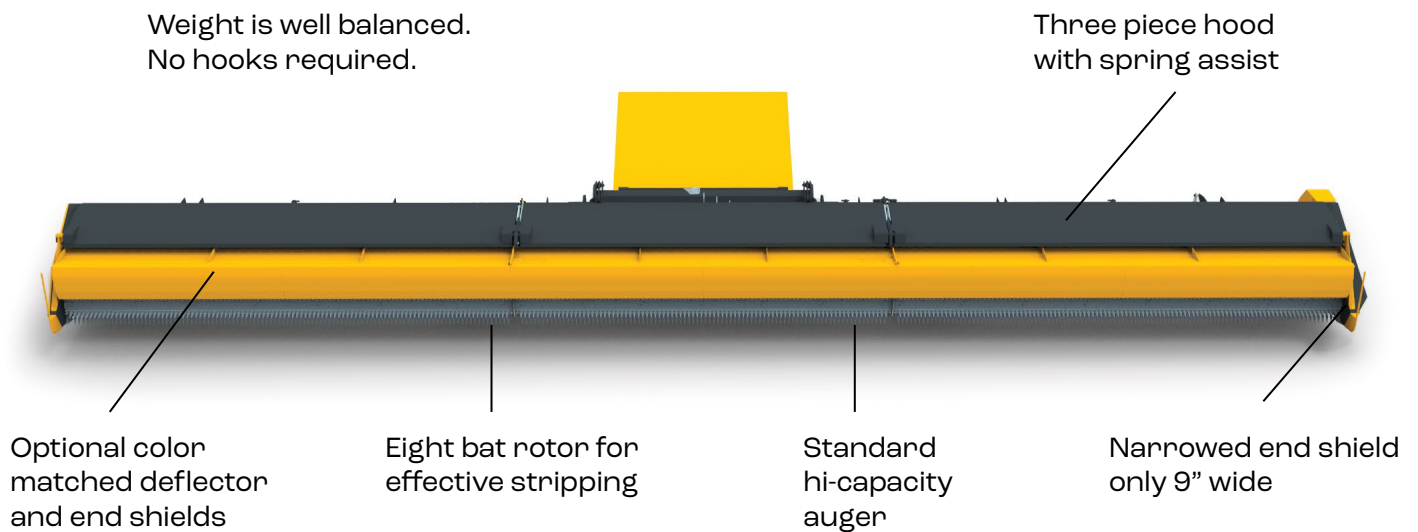
**Harvest Faster
Lower Fuel Cost
Made in Canada**



K-Hart Raptor stripper header

This efficient, high-speed design features a rotor with rows of fingers that strip the grain from the crop leaving the stem standing in the field.

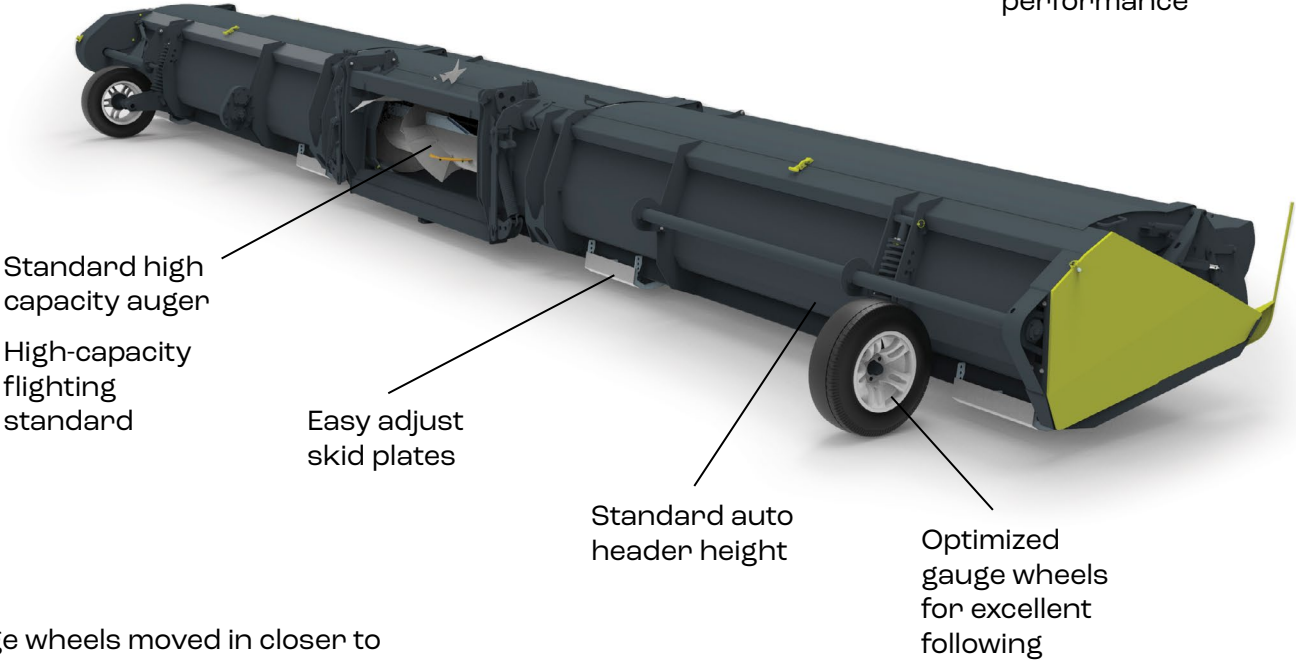
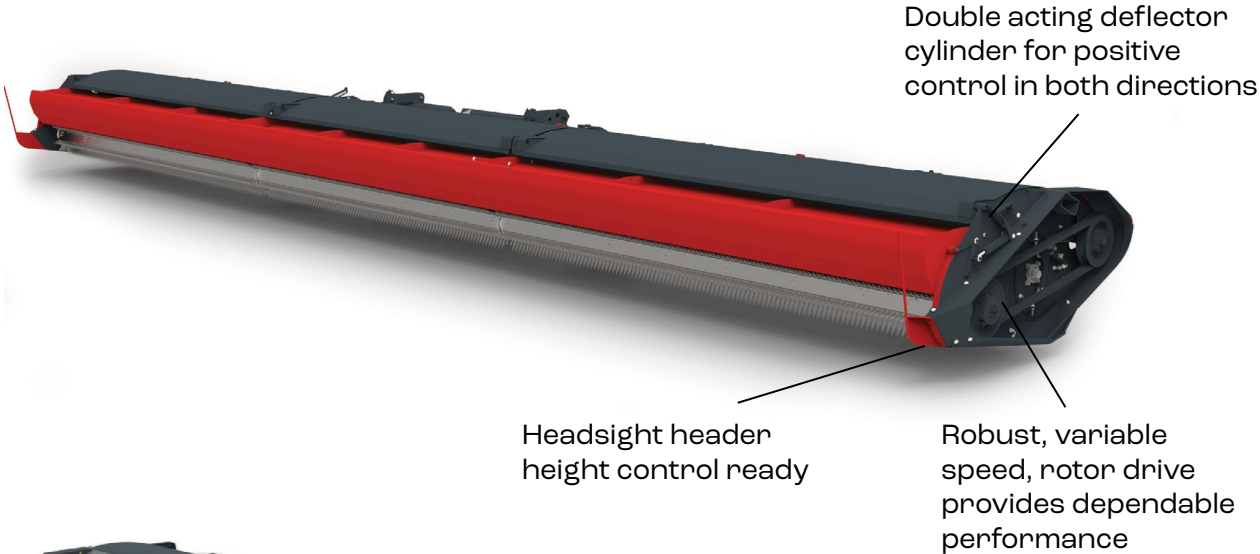
- **Harvest up to 50% faster** – saving expensive hours on your combine.
- **Save up to 50%** on your combine's fuel bill
- **Harvest earlier** – harvest when the grain is ready – not the straw.
- **Greatly increase snow trapping** which provides extra moisture for next year's crop – resulting in greater yields.
- **Recover lodged crops** – the stripping rotor will lift lodged crops and efficiently harvest the grain.



Designed and manufactured in Canada.

Process the grain – not the straw!

Save wear and tear on your combine and harvest more grain, faster!



Gauge wheels moved in closer to header for better ground following

Limited production for 2024. Watch for our pricing program this fall.

Save Time
Save Fuel
Save Money



Visit our website to learn more about the Raptor!



Elrose

Box 520, Elrose, Saskatchewan, Canada S0L 0Z0
306-378-2258 • info@khartindustries.com

Winnipeg

16 South Landing Drive, Oak Bluff, Manitoba, Canada R4G 0C4
780-284-3078 (Scott Ousdahl) • info@khartindustries.com

www.khartindustries.com