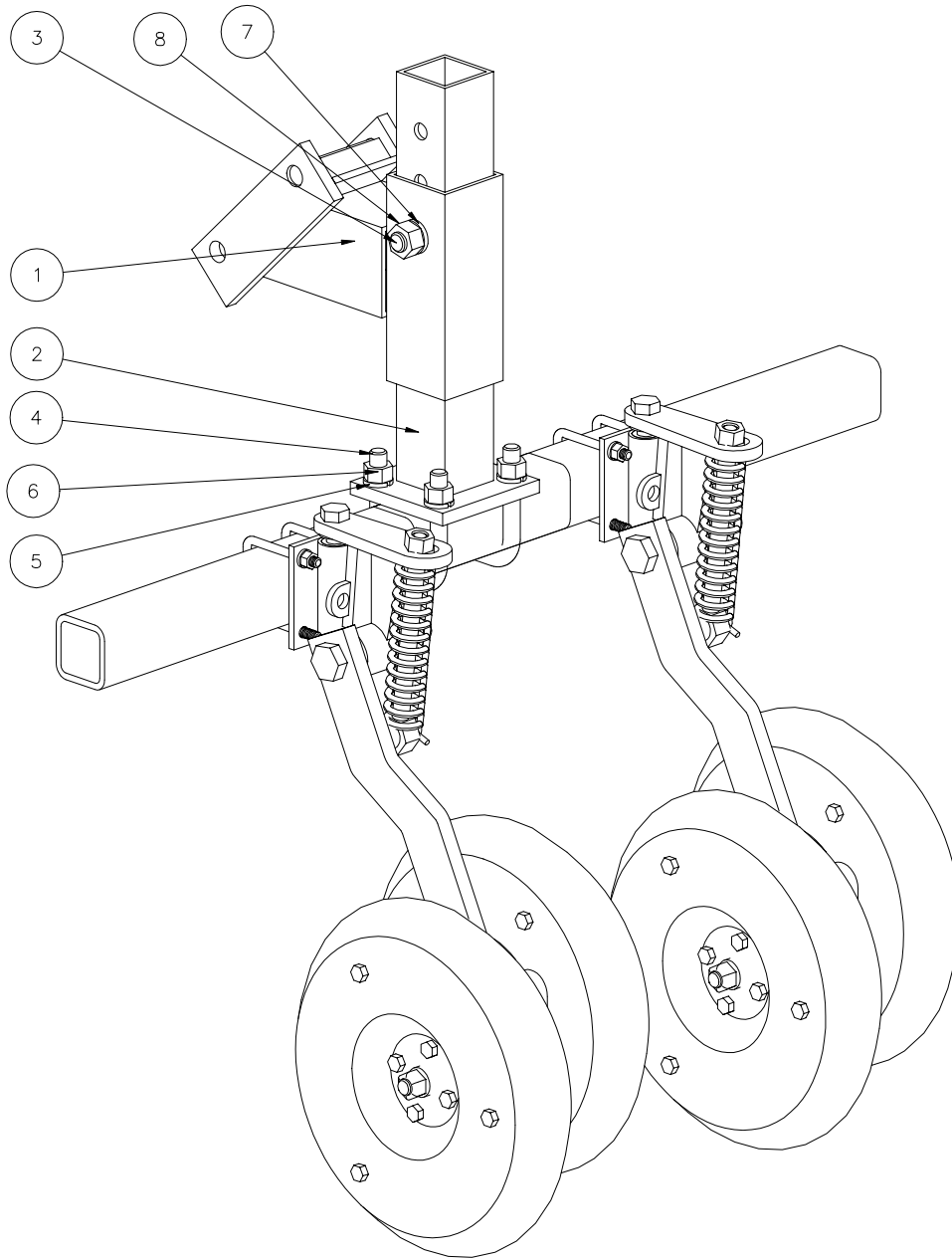


BOURGAULT ADAPTER MOUNTING



8	S12C5P	STANDARD NUT, 3/4, UNC, GR5, PL	1
7	L125P	WASHER, LOCK, 3/4, GR5, PL	1
6	S10C5P	STANDARD NUT, 5/8, UNC, GR5, PL	4
5	L105P	WASHER, LOCK, 5/8, GR5, PL	4
4	219603	U-BOLT 5/8 X 2 1/2 X 4 1/4	2
3	S1216C5P	BOLT, STANDARD, 3/4 X 4, UNC - 11, GR5, PL	1
2	303103	UPRIGHT EXTENSION	1
1	304200	BOURGAULT ADAPTER	1
ITE	PART NO.	DESCRIPTION	QTY

MOUNTING INSTRUCTIONS:

ATTACH PACKER ASSEMBLIES TO CROSS TUBE AT CORRECT SPACING USING U-BOLTS PROVIDED.

ATTACH VERTICAL MOUNT TUBE TO CROSS TUBE AS NEAR TO THE CENTER AS POSSIBLE.

ATTACH BOURGAULT ADAPTER TO CROSS TUBE USING THE BOLT PROVIDED.

ATTACH ADAPTER TO BOURGAULT ARM.